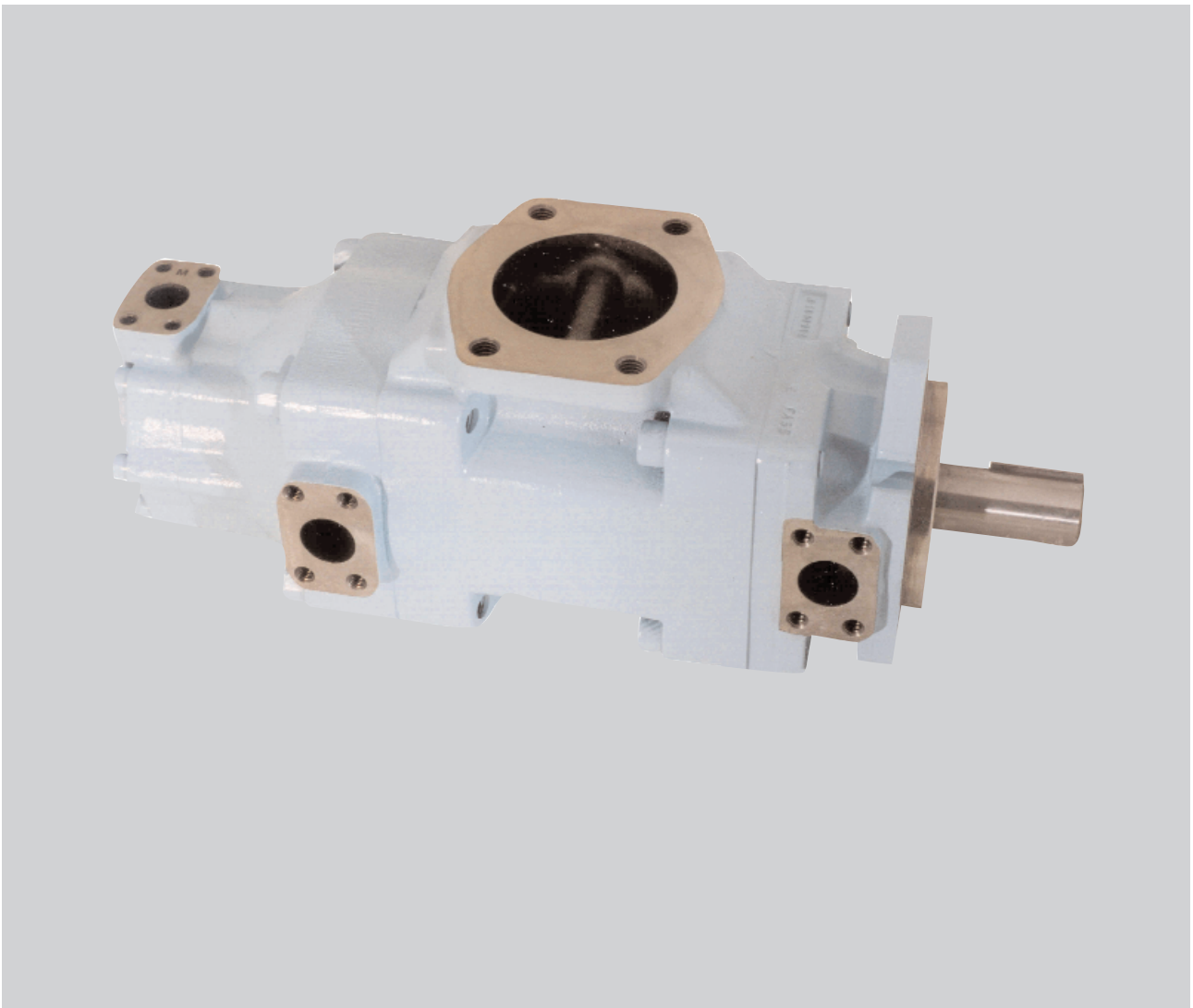




Vane triple pump high performance hydraulic T6DDCS



Publ. 1 - EN0737 - A

01 / 2000 / 2500 / FB

Replaces :

L13 - 10737 - 1

DENISON Hydraulics

ORDERING CODE - T6DDCS SERIES

Model No. **T6DDCS - 038 - 028 - 008 - 1 R 00 - A 1 00 - ..**

Series - SAE C 6 bolts
Mounting flange J744c SAE C

Displacement P1 and P2
Volumetric displacement (ml/rev.)
014 = 47,6 035 = 111,0
017 = 58,2 038 = 120,3
020 = 66,0 042 = 136,0
024 = 79,5 045 = 145,7
028 = 89,7 050 = 158,0
031 = 98,3

Displacement P3
Volumetric displacement (ml/rev.)
003 = 10,8 017 = 58,3
005 = 17,2 020 = 63,8
006 = 21,3 022 = 70,3
008 = 26,4 025 = 79,3
010 = 34,1 028 = 88,8
012 = 37,1 031 = 100,0
014 = 46,0

Type of shaft
1 = keyed (SAE C) 4 = splined (SAE CC)
2 = keyed (SAE CC) 5 = keyed (non SAE)
3 = splined (SAE C)

Modifications

Mounting w/connection variables
4 bolts SAE flange J518c

Type	P1 & P2 = 1"1/4 - S = 4"			
	UNC		Metric	
P3	1"	3/4"	1"	3/4"
Code	00	01	M0	M1

Seal class

1 = S1 (for mineral oil)
4 = S4 (for the resistant fluid)
5 = S5 (for mineral oil and fire resistant fluids)

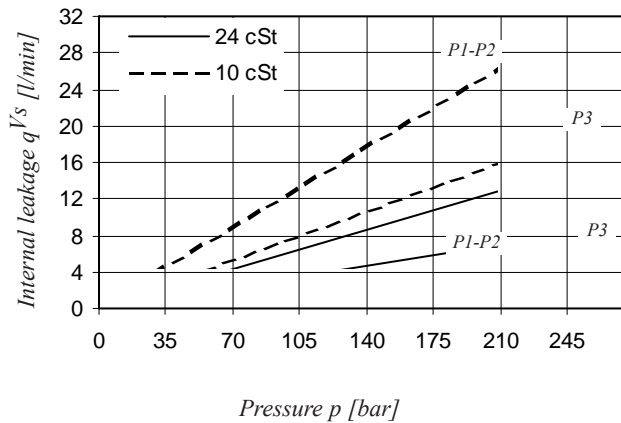
Design letter

Porting combination
00 = standard

Direction of rotation (view on shaft end)

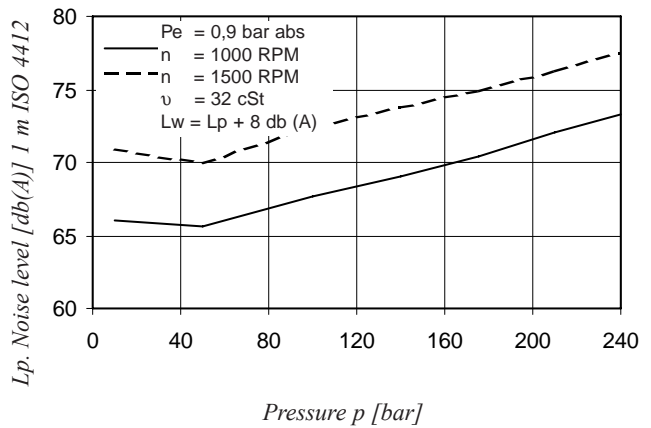
R = Clockwise
L = Counter-clockwise

INTERNAL LEAKAGE (TYPICAL)



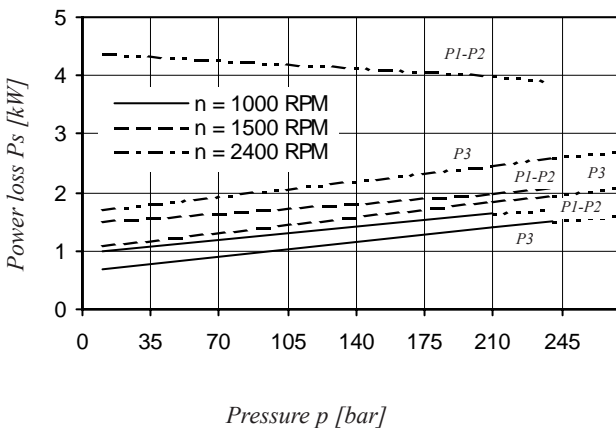
Do not operate pump more than 5 seconds at any speed or viscosity if internal leakage is higher than 50% of theoretical flow. Total leakage is the sum of each section loss at its operating conditions.

NOISE LEVEL (TYPICAL) T6DDCS 038 - 038 - 022



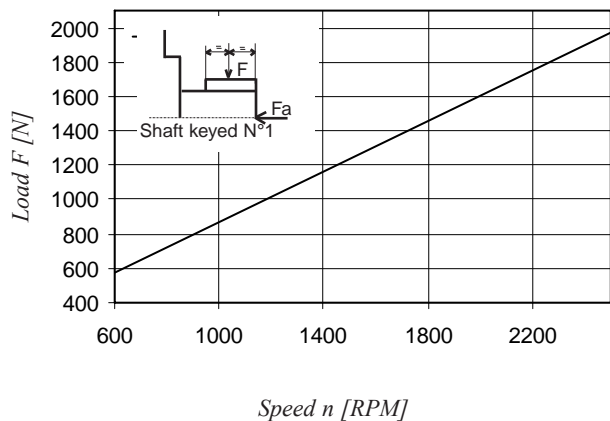
Double pump noise level is given with each section discharging at the pressure noted on the curve.

POWER LOSS HYDROMECHANICAL (TYPICAL)

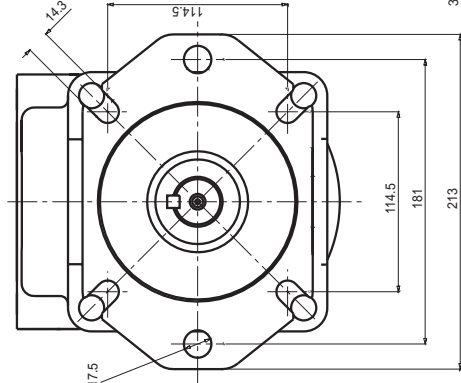
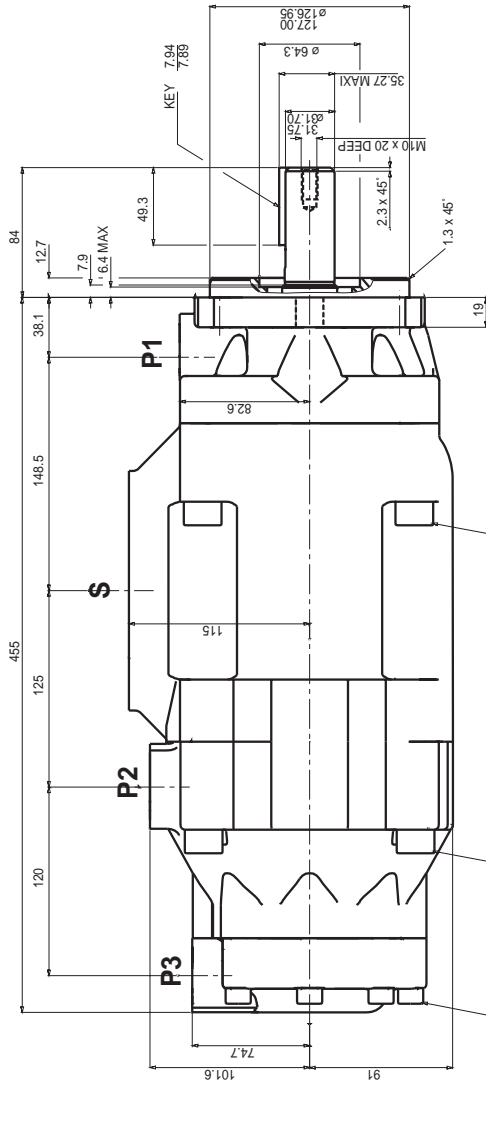


Total hydromechanical power loss is the sum of each section at its operating conditions.

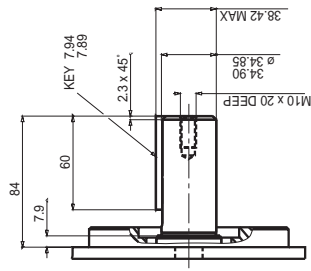
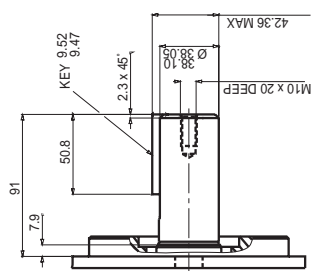
PERMISSIBLE RADIAL LOAD



Maximum permissible axial load $F_a = 1200\text{ N}$



SHAFT CODE 4
SAE CC INVOLUTE SPLINE DATA
CLASS 1-FLAT ROOT SIDE FIT
J498B-PITCH 12/24
17TEETH -30° PRESSURE ANGLE



SHAFT CODE 3
SAE C INVOLUTE SPLINE DATA
CLASS 1-FLAT ROOT SIDE FIT
J498B-PITCH 12/24
14TEETH -30° PRESSURE ANGLE

SHAFT CODE 2
SAE CC

SHAFT CODE 5
NO SAE

Alternate Port Code	A	B	C
P3	00 - M0	52.4	26.2 25.4
	01 - M1	47.6	22.2 19.0

Shaft	Shaft torque limits [m/rev x bar]
	V _i x p max.
1	43240
2	72306
3	61200
5	55600