

aerospace
climate control
electromechanical
filtration
fluid & gas handling
hydraulics
pneumatics
process control
sealing & shielding



Air Oil Coolers

LAC with AC Motor for Industrial Use



ENGINEERING YOUR SUCCESS.



The Olaer Group is part of Parker Hannifin since July 1st, 2012. With manufacturing and sales in 14 countries in North America, Asia and Europe, the Olaer Group expands Parker's presence in geographic growth areas and offers expertise in hydraulic accumulator and cooling systems for target growth markets such as oil and gas, power generation and renewable energy.

LAC Air Oil Coolers

For industrial use – maximum cooling capacity 300 kW

The LAC air oil cooler with single-phase or three-phase AC motor is optimized for use in the industrial sector. Together with a wide range of accessories, the LAC cooler is suitable for installation in most applications and environments. The maximum cooling capacity is 300 kW at ETD 40 °C. Choosing the right cooler requires precise system sizing. The most reliable way to size is with the aid of our calculation program. This program, together with precise evaluations from our experienced, skilled engineers, gives you the opportunity for more cooling per € invested.

Overheating - an expensive problem

An under-sized cooling capacity produces a temperature

balance that is too high. The consequences are poor lubricating properties, internal leakage, a higher risk of cavitation, damaged components, etc. Overheating leads to a significant drop in cost-efficiency and environmental consideration.

Temperature optimisation - a basic prerequisite for cost-efficient operation

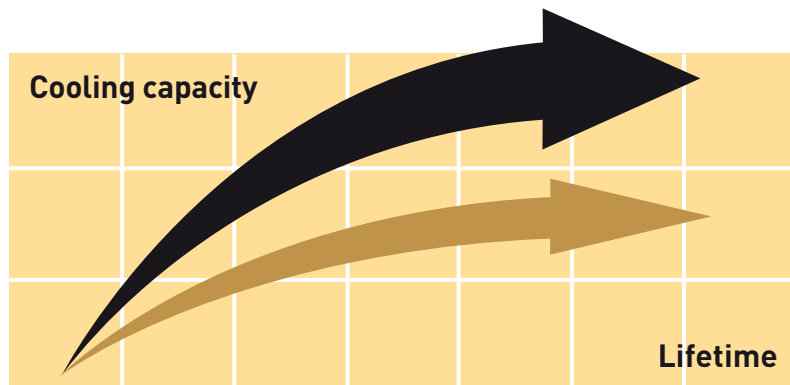
Temperature balance in a hydraulic system occurs when the cooler can cool down the energy input that the system does not consume - the system's lost energy:

$(P_{loss} = P_{cool} = P_{in} - P_{used})$.
Temperature optimisation means that temperature balance occurs at the system's ideal working temperature - the temperature

at which the oil's viscosity and the air content comply with recommended values.

The correct working temperature produces a number of economic and environmental benefits:

- The hydraulic system's useful life is extended.
- The oil's useful life is extended.
- The hydraulic system's availability increases – more operating time and fewer shutdowns.
- Service and repair costs are reduced.
- High efficiency level maintained in continuous operation – the system's efficiency falls if the temperature exceeds the ideal working temperature.



Clever design and the right choice of materials and components produce a long useful life, high availability and low service and maintenance costs.

Easy to maintain and easy to retrofit in many applications.

Compact design and low weight.



Quiet fan and fan motor.

AC motor single-phase for smaller and three-phase for larger cooler sizes.

Cooler matrix with low pressure drop and high cooling capacity.

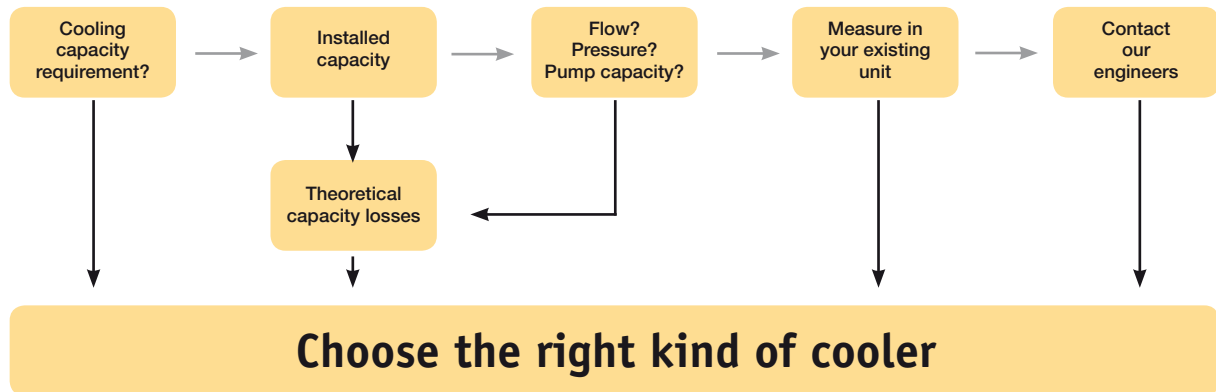
LAC-M and LAC-X

LAC air oil coolers are also available in two special versions, LAC-X (ATEX version), approved for applications where

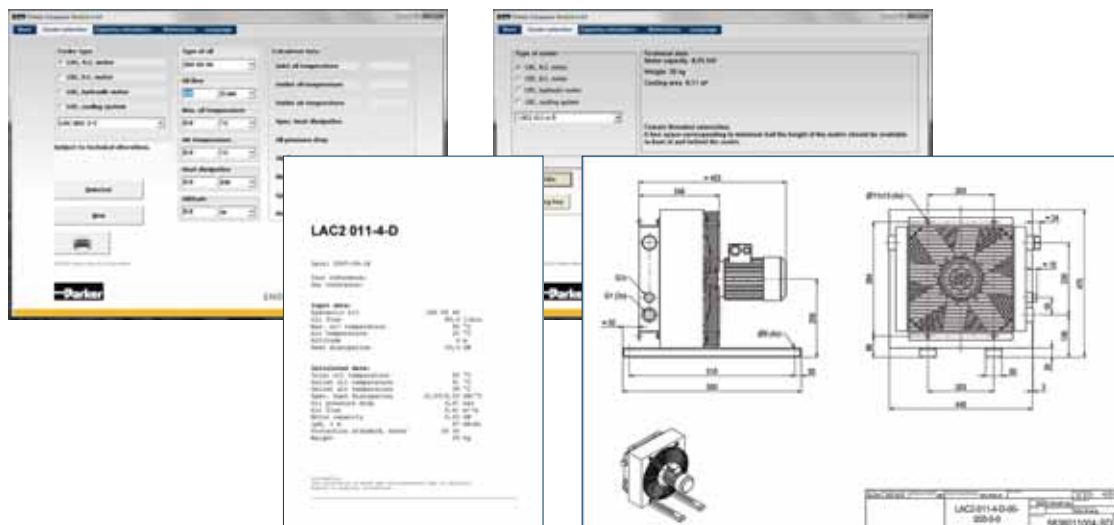
there may be an explosive environment above ground, and LAC-M, adapted to be able better to deal with corrosion attacks,

for example in marine environments.

Calculate the Cooling Capacity Requirement

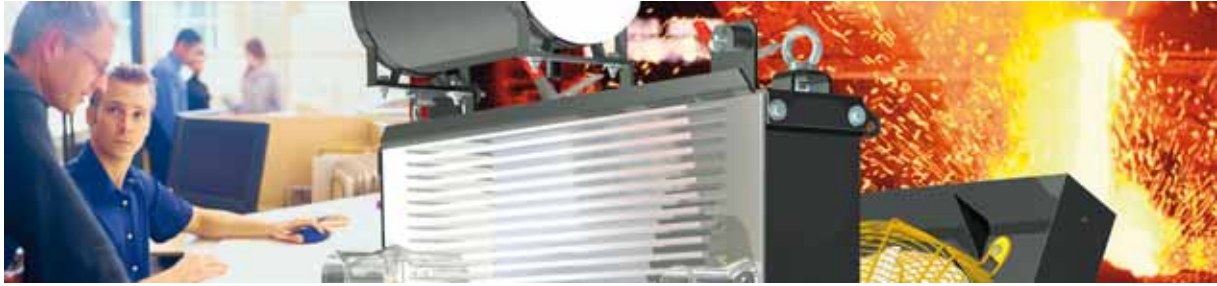


Enter your values



... suggested solution





Better energy consumption means not only less environmental impact, but also reduces operating costs, i.e. more cooling per € invested.

More Cooling per €

with precise calculations and our engineers' support

Optimal sizing produces efficient cooling. Correct sizing requires knowledge and experience. Our calculation program, combined with our engineers' support, gives you access to this very knowledge and experience. The result is more cooling per € invested. The user-friendly calculation program can be downloaded from www.olaer.se

Valuable system review into the bargain

A more wide-ranging review of

the hydraulic system is often a natural element of cooling calculations. Other potential system improvements can then be discussed – e.g. filtering, offline or online cooling, etc. Contact us for further guidance and information.

Parker Hannifin's quality and performance guarantee insurance for your operations and systems

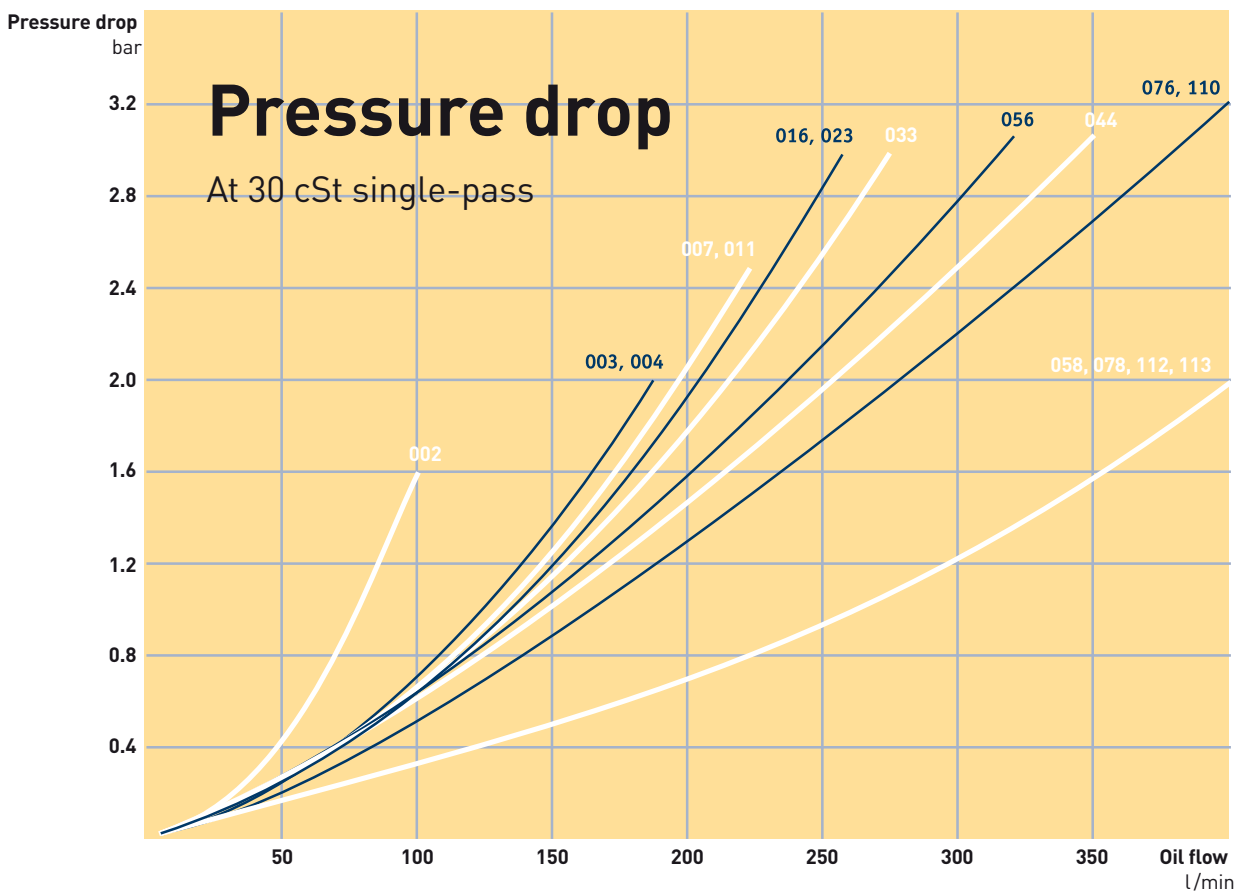
A constant striving towards more cost-efficient and environment friendly hydraulic systems

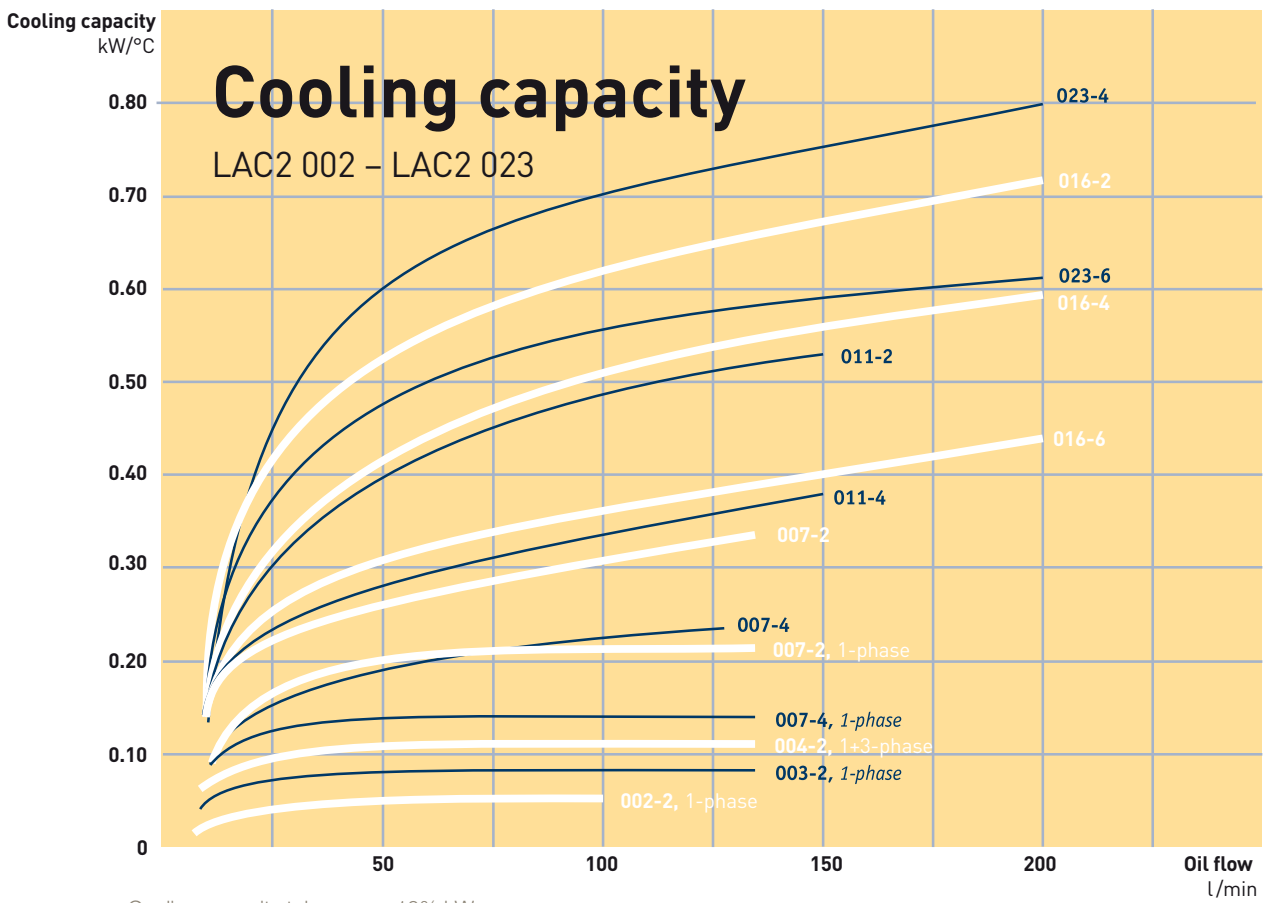
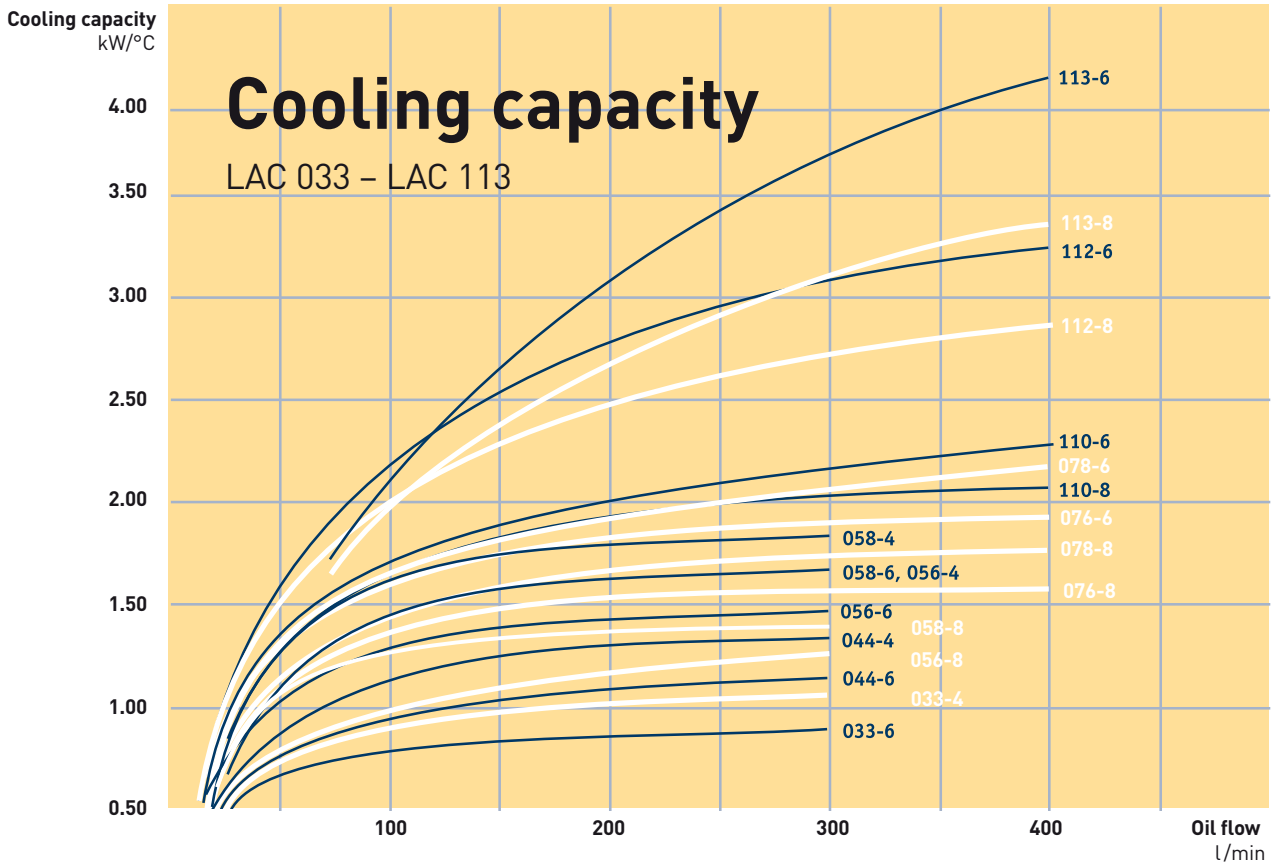
requires continuous development. Areas where we are continuously seeking to improve performance include cooling capacity, noise level, pressure drop and fatigue. Meticulous quality and performance tests are conducted in our laboratory. All tests and measurements take place in accordance with standardised methods - cooling capacity in accordance with EN1048, noise level ISO 3743, pressure drop EN 1048 and fatigue ISO 10771-1.

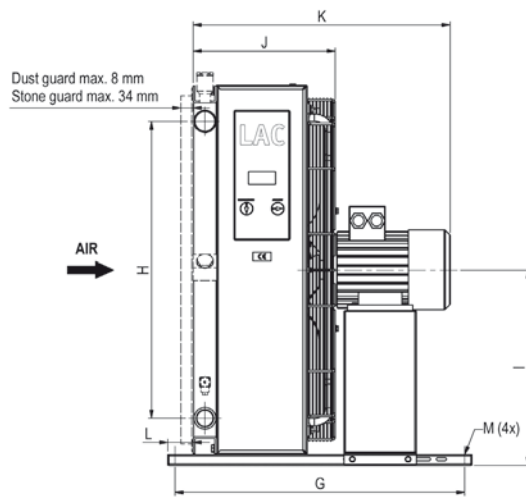




The cooling capacity curves are based on the inlet oil temperature and the ambient air temperature. An oil temperature of 60 °C and an air temperature of 20 °C produce a temperature difference of 40 °C. Multiply by kW/°C for total cooling capacity.

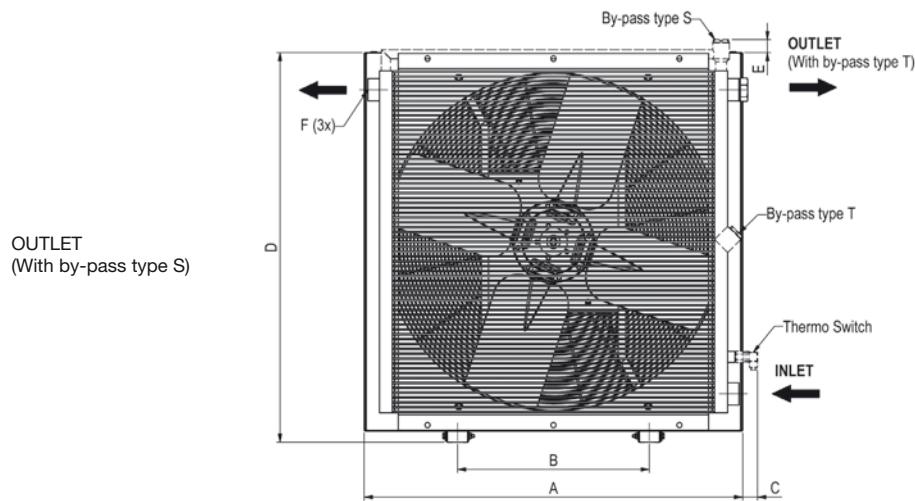






TYPE	Acoustic pressure level LpA dB(A) 1m*	No. of poles/ Capacity kW	Weight kg (approx)
LAC2 002-2-single-phase	50	2-0.05	4
LAC2 003-2-single-phase	61	2-0.05	5
LAC2 004-2-single-phase	63	2-0.07	6
LAC2 004-2-single-phase	63	2-0.07	6
LAC2 007-4-single-phase	65	2-0.08	9
LAC2 007-2-single-phase	79	2-0.24	10
LAC2 007-4-three-phase	62	4-0.25	15
LAC2 007-2-three-phase	79	2-0.55	16
LAC2 011-4-three-phase	67	4-0.25	20
LAC2 011-2-three-phase	82	2-1.10	25
LAC2 016-6-three-phase	60	6-0.18	23
LAC2 016-4-three-phase	70	4-0.37	24
LAC2 016-2-three-phase	86	2-1.10	27
LAC2 023-6-three-phase	64	6-0.18	35
LAC2 023-4-three-phase	76	4-0.75	36
LAC 033-6-three-phase	74	6-0.55	45
LAC 033-4-three-phase	84	4-2.20	52
LAC 044-6-three-phase	76	6-0.55	63
LAC 044-4-three-phase	85	4-2.20	65
LAC 056-8-three-phase	73	8-0.55	73
LAC 056-6-three-phase	81	6-1.50	75
LAC 056-4-three-phase	84	4-2.20	75
LAC 058-8-three-phase	74	8-0.55	80
LAC 058-6-three-phase	82	6-1.50	82
LAC 058-4-three-phase	85	4-2.20	82
LAC 076-8-three-phase	79	8-1.10	130
LAC 076-6-three-phase	86	6-2.20	140
LAC 078-8-three-phase	80	8-1.10	136
LAC 078-6-three-phase	87	6-2.20	146
LAC 110-8-three-phase	84	8-2.20	160
LAC 110-6-three-phase	90	6-5.50	170
LAC 112-8-three-phase	85	8-2.20	168
LAC 112-6-three-phase	91	6-5.50	178
LAC 113-8-three-phase	80	8-2.20	218
LAC 113-6-three-phase	88	6-5.50	237
LAC 200-8-three-phase	86	8-4.00	365
LAC 200-6-three-phase	92	6-11.00	405

* = Noise level tolerance ± 3 dB(A).



TYPE	A	B	C	D	E	F	G	H	I	J	K	L	Mø
LAC2 002-2-single-phase	165	74	82	189	-	G½	190	72	97	105	167	39	9
LAC2 003-2-single-phase	244	134	82	223	71	G1	148	90	114	161	218	31	9x14
LAC2 004-4-single-phase	267	134	82	256	69	G1	148	90	131	165	222	28	9x14
LAC2 004-2-single-phase	267	134	82	256	69	G1	148	90	131	165	222	28	9x14
LAC2 007-4-single-phase	340	203	77	345	54	G1	267	160	175	189	249	49	9x14
LAC2 007-2-single-phase	340	203	77	345	54	G1	267	160	175	189	249	49	9x14
LAC2 007-4-three-phase	365	203	64	395	42	G1	510	160	213	225	429	50	9
LAC2 007-2-three-phase	365	203	64	395	42	G1	510	160	213	225	434	50	9
LAC2 011-4-three-phase	440	203	62	470	41	G1	510	230	250	249	453	50	9
LAC2 011-2-three-phase	440	203	62	470	41	G1	510	230	250	249	475	50	9
LAC2 016-6-three-phase	496	203	66	526	46	G1	510	230	278	272	474	50	9
LAC2 016-4-three-phase	496	203	66	526	46	G1	510	230	278	272	479	50	9
LAC2 016-2-three-phase	496	203	66	526	46	G1	510	230	278	272	496	50	9
LAC2 023-6-three-phase	580	356	63	610	44	G1	510	305	320	287	489	50	9
LAC2 023-4-three-phase	580	356	63	610	44	G1	510	305	320	287	511	50	9
LAC 033-6-three-phase	692	356	53	722	42	G1¼	510	406	376	318	534	50	9
LAC 033-4-three-phase	692	356	53	722	42	G1¼	510	406	376	318	618	50	9
LAC 044-6-three-phase	692	356	53	866	59	G1¼	510	584	448	343	559	50	9
LAC 044-4-three-phase	692	356	53	866	59	G1¼	510	584	448	343	643	50	9
LAC 056-8-three-phase	868	508	49	898	43	G1¼	510	584	464	368	668	50	9
LAC 056-6-three-phase	868	508	49	898	43	G1¼	510	584	464	368	668	50	9
LAC 056-4-three-phase	868	508	49	898	43	G1¼	510	584	464	368	668	50	9
LAC 058-8-three-phase	868	508	49	898	43	G2	510	584	464	388	652	30	9
LAC 058-6-three-phase	868	508	49	898	43	G2	510	584	464	388	682	30	9
LAC 058-4-three-phase	868	508	49	898	43	G2	510	584	464	388	688	30	9
LAC 076-8-three-phase	1022	518	41	1052	45	G1½	800	821	541	393	693	70	14
LAC 076-6-three-phase	1022	518	41	1052	45	G1½	800	821	541	393	710	70	14
LAC 078-8-three-phase	1022	518	41	1052	45	G2	800	821	541	413	713	50	14
LAC 078-6-three-phase	1022	518	41	1052	45	G2	800	821	541	413	730	50	14
LAC 110-8-three-phase	1185	600	54	1215	45	G2	800	985	623	418	785	70	14
LAC 110-6-three-phase	1185	600	54	1215	45	G2	800	985	623	418	785	70	14
LAC 112-8-three-phase	1185	600	54	1215	45	G2	800	985	623	438	805	50	14
LAC 112-6-three-phase	1185	600	54	1215	45	G2	800	985	623	438	805	50	14
LAC 113-8-three-phase	1200	600	82	1215	45	G2	860	985	623	465	833	82	14
LAC 113-6-three-phase	1200	600	82	1215	45	G2	860	985	623	465	871	82	14
LAC 200-8-three-phase	Please see LAC 200 brochure for more information												
LAC 200-6-three-phase	Please see LAC 200 brochure for more information												

Key for LAC/LAC2 Air Oil Coolers

All positions must be filled in when ordering:

EXAMPLE: LAC2 - 016 - 6 - A - 50 - T20 - D - 0
 1 2 3 4 5 6 7 8

1. AIR OIL COOLER WITH AC MOTOR = LAC / LAC2

2. COOLER SIZE

002, 003, 004, 007, 011, 016, 023, 033, 044, 056, 058, 076, 078, 110, 112, 113 and 200.

3. NUMBER OF POLES, MOTOR

2 - pole = 2
 4 - pole = 4
 6 - pole = 6
 8 - pole = 8

4. VOLTAGE AND FREQUENCY (IE2 GUARANTEED AT 50HZ)

No motor = 0
 230/400V 50Hz¹⁾ = A
 460V alt 480V 60Hz¹⁾ = B
 Single-phase 230V 50Hz (not IE2) = C
 230/400V 50Hz 460 alt 480V 60Hz²⁾ = D
 500V 50Hz (not standard) = E
 400/690V 50Hz 460 alt 480V 60Hz = F
 525V 50Hz, 575V 60Hz = G
 Motor for special voltage or frequency (stated in plain language)³⁾ = X

1) for LAC 033 to LAC 113
 2) For LAC2 007 to LAC2 023
 3) For other options contact Parker for assistance. All motors apply to IEC 60034, IEC 60072 and EN 50347

5. THERMO CONTACT

No thermo contact = 00
 40 °C = 40
 50 °C = 50
 60 °C = 60
 70 °C = 70
 80 °C = 80
 90 °C = 90

6. COOLER MATRIX

Standard = 000
 Two-pass = T00
Built-in, pressure-controlled bypass, single-pass
 2 bar = S20
 5 bar = S50
 8 bar = S80

Built-in, pressure-controlled bypass, two-pass*

2 bar = T20
 5 bar = T50
 8 bar = T80

Built-in temperature and pressure-controlled bypass, single-pass

50 °C, 2.2 bar = S25
 60 °C, 2.2 bar = S26
 70 °C, 2.2 bar = S27
 90 °C, 2.2 bar = S29

Built-in temperature and pressure-controlled bypass, two-pass*

50 °C, 2.2 bar = T25
 60 °C, 2.2 bar = T26
 70 °C, 2.2 bar = T27
 90 °C, 2.2 bar = T29

* = not for LAC2 002 - LAC2 004

7. MATRIX GUARD

No guard = 0
 Stone guard = S
 Dust guard = D
 Dust and stone guard = P

8. STANDARD/SPECIAL

Standard = O
 Special = Z

TECHNICAL SPECIFICATION

FLUID COMBINATIONS

Mineral oil	HL/HLP in accordance with DIN 51524
Oil/water emulsion	HFA, HFB in accordance with CETOP RP 77H
Water glycol	HFC in accordance with CETOP RP 77H
Phosphate ester	HFD-R in accordance with CETOP RP 77H

MATERIAL

Cooler matrix	Aluminum
Fan blades/hub	Glass fibre reinforced polypropylene/Aluminum

Fan housing	Steel
Fan guard	Steel
Other parts	Steel
Surface treatment	Electrostatically powder-coated

TECHNICAL DATA, COOLER MATRIX

Maximum static operating pressure	21 bar
Dynamic operating pressure	14 bar*
Heat transfer limit	± 6 %
Maximum oil inlet temperature	120 °C

* Tested in accordance with ISO/DIS 10771-1

TECHNICAL DATA FOR 3-PHASE MOTOR

3-phase asynchronous motors in accordance with IEC 34-1 and IEC 72 in accordance with DIN 57530/VDE 0530
 Insulation class F
 Rise of temperature B
 Protection class IP 55

TECHNICAL DATA FOR 1-PHASE MOTOR

Insulation class B
 Rise of temperature B
 Protection class IP 44

TECHNICAL DATA FOR 3-PHASE MOTOR LAC2 004

Rated voltage	230/400V
	50/60Hz
Insulation class	B
Rise of temperature	B
Protection class	IP 44

COOLING CAPACITY CURVE

The cooling capacity curves in this technical data sheet are based on tests in accordance with EN 1048 and have been produced using oil type ISO VG 46 at 60 °C.

CONTACT PARKER HANNIFIN FOR ADVICE ON

Oil temperatures > 120 °C
 Oil viscosity > 100 cSt
 Aggressive environments
 Ambient air rich in particles
 High-altitude locations





With our specialist expertise, industry knowledge and advanced technology, we can offer a range of different solutions for coolers and accessories to meet your requirements.

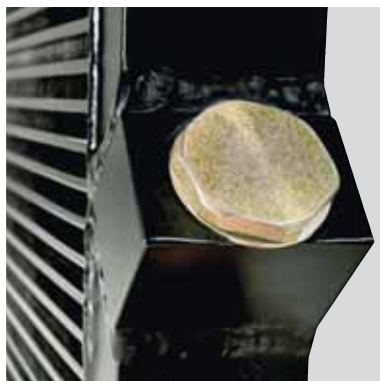
Take the Next Step

- choose the right accessories

Supplementing a hydraulic system with a cooler, cooler accessories and an accumulator gives you increased availability and a longer useful life, as well

as lower service and repair costs. All applications and operating environments are unique. A well-planned choice of the following accessories can thus further

improve your hydraulic system. Please contact Parker Hannifin for guidance and information.



Pressure-controlled bypass valve *Integrated*

Allows the oil to bypass the cooler matrix if the pressure drop is too high. Reduces the risk of the cooler bursting, e.g. in connection with cold starts and temporary peaks in pressure or flow. Available for single-pass or two-pass matrix design.



Thermo contact

Sensor with fixed set point, for temperature warnings. Can be used for more cost-efficient operation and better environmental consideration through the automatic control of the fan motor, either on or off.



Temperature-controlled bypass valve *Integrated*

Allows the oil to bypass the cooler matrix if the pressure drop is higher than 2,2 bar or less than the chosen temperature. The bypass closes when the oil temperature increases. Different closing temperatures available. Available for singlepass or two-pass matrix design



Lifting eyes

For simple installation and relocation.



Temperature-controlled 3-way valve *External*

Same function as the temperature-controlled bypass valve, but positioned externally.

Note: must be ordered separately.



Stone guard/Dust guard

Protects components and systems from tough conditions.



Parker Worldwide

Europe, Middle East, Africa

AE – United Arab Emirates,
Dubai

Tel: +971 4 8127100
parker.me@parker.com

AT – Austria, Wiener Neustadt

Tel: +43 (0)2622 23501-0
parker.austria@parker.com

AT – Eastern Europe, Wiener
Neustadt

Tel: +43 (0)2622 23501 900
parker.easteurope@parker.com

AZ – Azerbaijan, Baku

Tel: +994 50 22 33 458
parker.azerbaijan@parker.com

BE/LU – Belgium, Nivelles

Tel: +32 (0)67 280 900
parker.belgium@parker.com

BY – Belarus, Minsk

Tel: +375 17 209 9399
parker.belarus@parker.com

CH – Switzerland, Etoy

Tel: +41 (0)21 821 87 00
parker.switzerland@parker.com

CZ – Czech Republic, Klecany

Tel: +420 284 083 111
parker.czechrepublic@parker.com

DE – Germany, Kaarst

Tel: +49 (0)2131 4016 0
parker.germany@parker.com

DK – Denmark, Ballerup

Tel: +45 43 56 04 00
parker.denmark@parker.com

ES – Spain, Madrid

Tel: +34 902 330 001
parker.spain@parker.com

FI – Finland, Vantaa

Tel: +358 (0)20 753 2500
parker.finland@parker.com

FR – France, Contamine s/Arve

Tel: +33 (0)4 50 25 80 25
parker.france@parker.com

GR – Greece, Athens

Tel: +30 210 933 6450
parker.greece@parker.com

HU – Hungary, Budaoers

Tel: +36 23 885 470
parker.hungary@parker.com

IE – Ireland, Dublin

Tel: +353 (0)1 466 6370
parker.ireland@parker.com

IT – Italy, Corsico (MI)

Tel: +39 02 45 19 21
parker.italy@parker.com

KZ – Kazakhstan, Almaty

Tel: +7 7273 561 000
parker.easteurope@parker.com

NL – The Netherlands, Oldenzaal

Tel: +31 (0)541 585 000
parker.nl@parker.com

NO – Norway, Asker

Tel: +47 66 75 34 00
parker.norway@parker.com

PL – Poland, Warsaw

Tel: +48 (0)22 573 24 00
parker.poland@parker.com

PT – Portugal, Leca da Palmeira

Tel: +351 22 999 7360
parker.portugal@parker.com

RO – Romania, Bucharest

Tel: +40 21 252 1382
parker.romania@parker.com

RU – Russia, Moscow

Tel: +7 495 645-2156
parker.russia@parker.com

SE – Sweden, Spånga

Tel: +46 (0)8 59 79 50 00
parker.sweden@parker.com

SK – Slovakia, Banská Bystrica

Tel: +421 484 162 252
parker.slovakia@parker.com

SL – Slovenia, Novo Mesto

Tel: +386 7 337 6650
parker.slovenia@parker.com

TR – Turkey, Istanbul

Tel: +90 216 4997081
parker.turkey@parker.com

UA – Ukraine, Kiev

Tel: +380 44 494 2731
parker.ukraine@parker.com

UK – United Kingdom, Warwick

Tel: +44 (0)1926 317 878
parker.uk@parker.com

ZA – South Africa, Kempton Park

Tel: +27 (0)11 961 0700
parker.southafrica@parker.com

North America

CA – Canada, Milton, Ontario

Tel: +1 905 693 3000

US – USA, Cleveland

(industrial)
Tel: +1 216 896 3000

US – USA, Elk Grove Village

(mobile)
Tel: +1 847 258 6200

Asia Pacific

AU – Australia, Castle Hill

Tel: +61 (0)2-9634 7777

CN – China, Shanghai

Tel: +86 21 2899 5000

HK – Hong Kong

Tel: +852 2428 8008

IN – India, Mumbai

Tel: +91 22 6513 7081-85

JP – Japan, Fujisawa

Tel: +81 (0)4 6635 3050

KR – South Korea, Seoul

Tel: +82 2 559 0400

MY – Malaysia, Shah Alam

Tel: +60 3 7849 0800

NZ – New Zealand, Mt Wellington

Tel: +64 9 574 1744

SG – Singapore

Tel: +65 6887 6300

TH – Thailand, Bangkok

Tel: +662 717 8140

TW – Taiwan, Taipei

Tel: +886 2 2298 8987

South America

AR – Argentina, Buenos Aires

Tel: +54 3327 44 4129

BR – Brazil, Cachoeirinha RS

Tel: +55 51 3470 9144

CL – Chile, Santiago

Tel: +56 2 623 1216

MX – Mexico, Apodaca

Tel: +52 81 8156 6000

Ed. 2012-10-02

EMEA Product Information Centre

Free phone: 00 800 27 27 5374

(from AT, BE, CH, CZ, DE, DK, EE, ES, FI, FR, IE, IL,
IS, IT, LU, MT, NL, NO, PL, PT, RU, SE, SK, UK, ZA)

US Product Information Centre

Toll-free number: 1-800-27 27 537

www.parker.com

